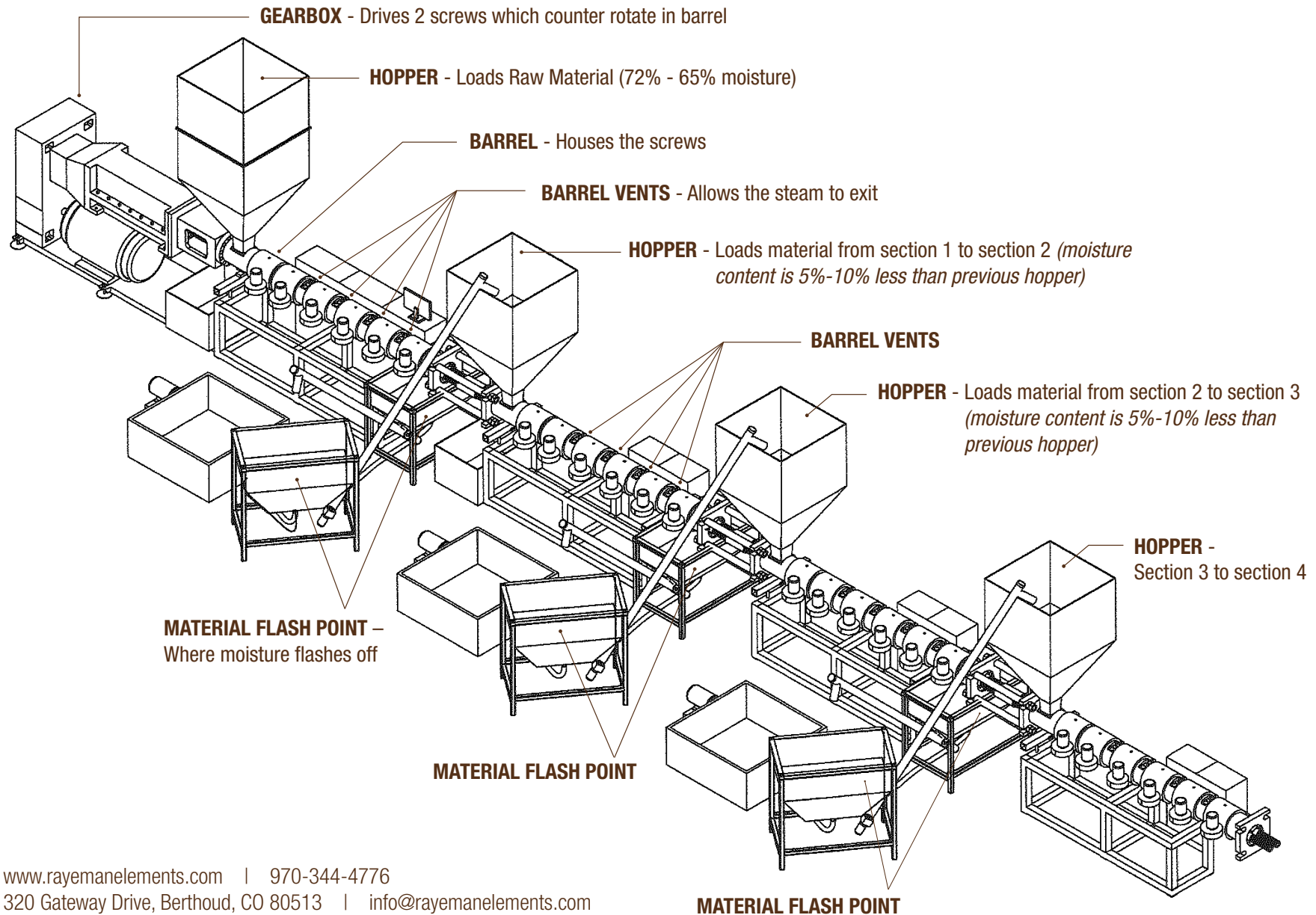


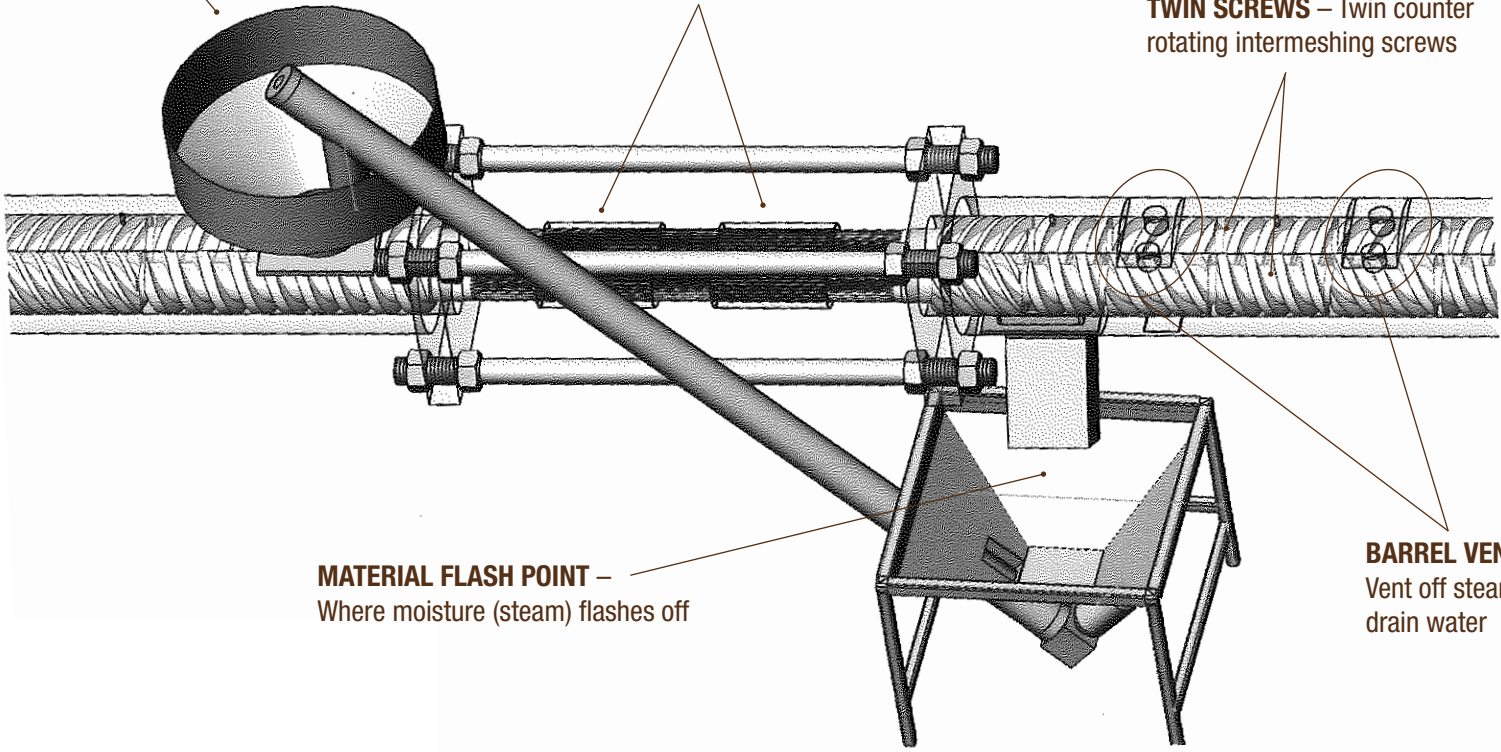
# Large Capacity Grain Dehydrating Compression System *(Grain Dryer)*



**HOPPER** – Entrance of material into next section of dryer

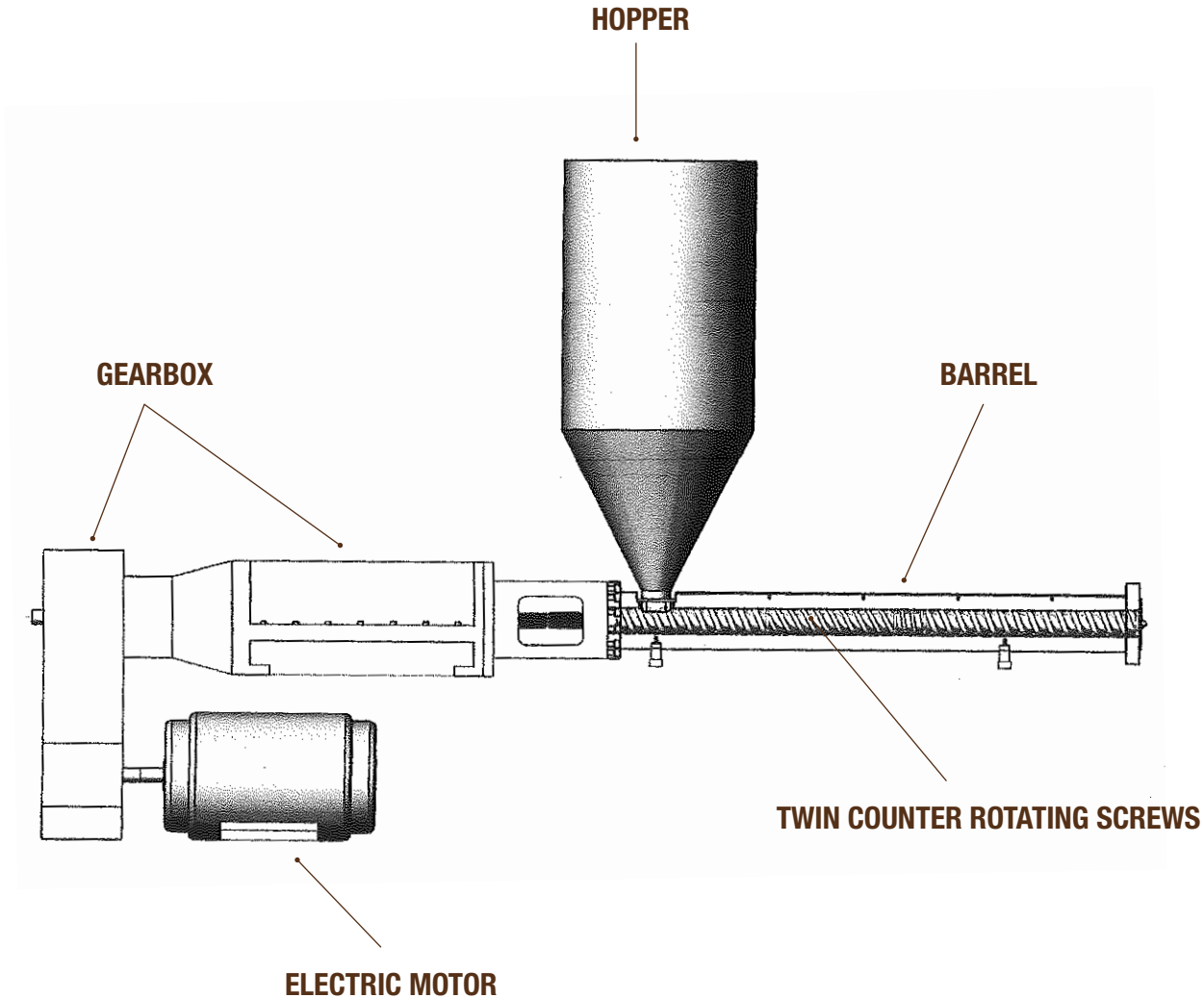
**TWIN SCREW COUPLERS** –  
To connect dryer sections in series

**TWIN SCREWS** – Twin counter rotating intermeshing screws

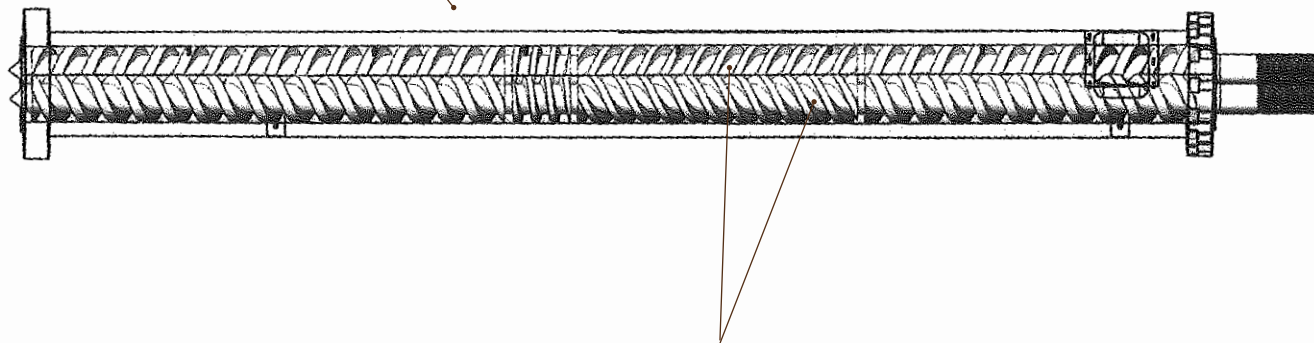


**MATERIAL FLASH POINT** –  
Where moisture (steam) flashes off

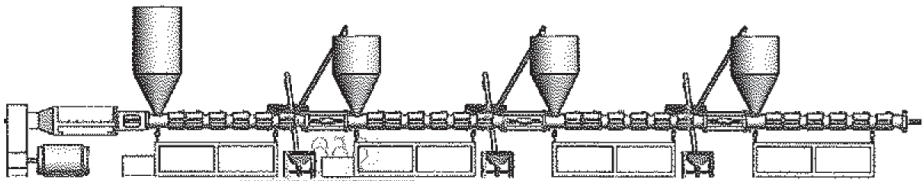
**BARREL VENTS** –  
Vent off steam and drain water



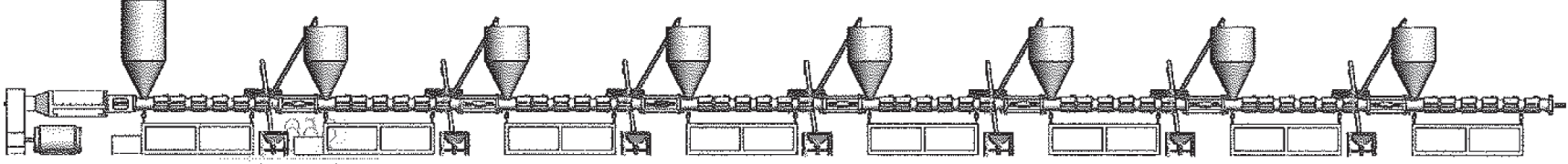
**BARREL -**  
Houses the screws



**TWIN SCREWS** – Twin counter rotating intermeshing screws act as a positive displacement pump when rotated. They compress and release the material several hundred times from beginning to end of each section.



**4 SECTION DRYER**



**8 SECTION DRYER**